

LXW26GS Series Universal Rotary Switch



LXWGS26-20



LXWGS26-25



LXWGS26-32



LXWGS26-63

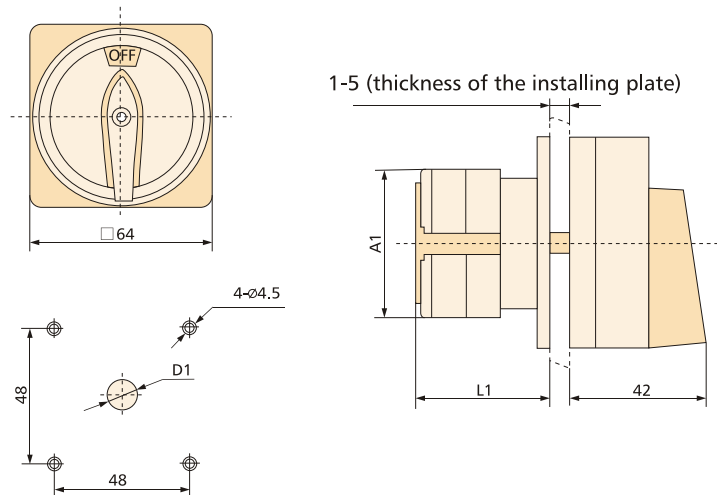
LXW26GS-□ /03-1(common type)
LXW26GS-□/04-1(emergency type)
LXW26GS-□ /03-1(common type)
LXW26GS-□/04-1(emergency type)

Technical parameters

Description		LXW26GS-20	LXW26GS-25	LXW26GS-32	LXW26GS-63
Rated working voltage Ue	V	440	440	440	440
Rated thermal current Ith	A	20	25	32	63
Rated working current Ie					
AC-21A	A	20	25	32	63
AC-22A	A	20	25	32	63
AC-23A	A	20	22	30	57
Power P					
AC-23A	KW	7.5	11	15	30
Operation K					
Non-load F		8500	8500	8500	8500
Load G		1500	1500	1500	1500
Total H		10000	10000	10000	10000

Dimensions and installation

LXW26GS-20/□-1 Small escutcheon plate



Description	Dimensions(mm)					
	A1	L1	D1	A2	L2	D2
LXW26S-20	43	43	Φ8.5	43	37.5	Φ45
LXW26S-25	45.2	51	Φ8.5	45.2	45	Φ47
LXW26S-32	58	55	Φ10			
LXW26S-63	66	72.5	Φ10			